

Prepared for:



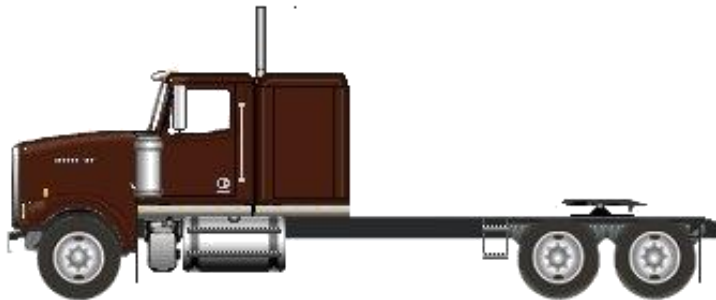
Prepared by:
Warren Christie
WINACOTT EQUIPMENT
GROUP
3002 FAITHFUL AVE
SASKATOON, SK S7K0B1
Phone: 3069314448

A proposal for
Outlaw Equipment Ltd

Prepared by
WINACOTT EQUIPMENT GROUP
Warren Christie

Oct 17, 2019

Western Star 4900SF



Components shown may not reflect all spec'd options and are not to scale



Prepared for:



Prepared by:
Warren Christie
WINACOTT EQUIPMENT
GROUP
3002 FAITHFUL AVE
SASKATOON, SK S7K0B1
Phone: 3069314448

SPECIFICATION PROPOSAL

Data Code	Description	Weight Front	Weight Rear	Retail Price
Price Level				
PRL-18W	WESTERN STAR PRL-18W (EFF:04/17/18)			N/C
Data Version				
DRL-021	SPECPRO21 DATA RELEASE VER 021			N/C
Vehicle Configuration				
001-423	WESTERN STAR 4900FA CHASSIS	8,834	7,336	\$187,755.00
004-220	2020 MODEL YEAR SPECIFIED			STD
002-001	SET FORWARD AXLE - TRACTOR			STD
003-001	LH PRIMARY STEERING LOCATION			STD
General Service				
AA1-001	TRACTOR/TRAILER CONFIGURATION			STD
AA6-003	DOMICILED, CANADA (OTHER THAN QUEBEC)			N/C
RCE-00F	FIXED CANADIAN EXCHANGE			N/C
A85-005	LINEHAUL/LONG HAUL SERVICE			STD
A84-1GF	GENERAL FREIGHT BUSINESS SEGMENT			STD
AA4-003	DRY BULK COMMODITY			N/C
AA5-006	TERRAIN/DUTY: 10% (SOME) OF THE TIME, IN TRANSIT, IS SPENT ON NON-PAVED ROADS			N/C
AB1-008	MAXIMUM 8% EXPECTED GRADE			STD
AB5-003	MAINTAINED GRAVEL OR CRUSHED ROCK - MOST SEVERE IN-TRANSIT (BETWEEN SITES) ROAD SURFACE			N/C
995-1A5	WESTERN STAR VOCATIONAL WARRANTY			N/C
A66-99D	EXPECTED FRONT AXLE(S) LOAD : 12000.0 lbs			
A68-99D	EXPECTED REAR DRIVE AXLE(S) LOAD : 46000.0 lbs			
A63-99D	EXPECTED GROSS VEHICLE WEIGHT CAPACITY : 58000.0 lbs			
A70-99D	EXPECTED GROSS COMBINATION WEIGHT : 140000.0 lbs			
Tractor Service				



Prepared for:

[REDACTED]

Prepared by:
Warren Christie
WINACOTT EQUIPMENT
GROUP
3002 FAITHFUL AVE
SASKATOON, SK S7K0B1
Phone: 3069314448

Data Code	Description	Weight Front	Weight Rear	Retail Price
AA2-006	DRY BULK TRAILER			N/C
AH6-002	DOUBLE (2) TRAILERS			N/C

Engine

101-2YR	DETROIT DD16 15.6L 560 HP @ 1800 RPM, 2080 GOV RPM, 1850 LB/FT @ 1120 RPM	100		\$2,304.00
---------	---	-----	--	------------

Electronic Parameters

79A-075	75 MPH ROAD SPEED LIMIT			N/C
79B-000	CRUISE CONTROL SPEED LIMIT SAME AS ROAD SPEED LIMIT			N/C
79M-002	PTO MODE BRAKE OVERRIDE - SERVICE BRAKE APPLIED OR PARK BRAKE NOT APPLIED			N/C
79N-001	PTO MODE CLUTCH OVERRIDE - CLUTCH ENABLED			N/C
79P-004	PTO RPM WITH CRUISE SET SWITCH - 900 RPM			N/C
79Q-004	PTO RPM WITH CRUISE RESUME SWITCH - 900 RPM			N/C
79T-001	PTO MODE RPM INCREMENT - 25 RPM			N/C
79W-001	ONE REMOTE PTO SPEED			N/C
79X-005	PTO SPEED 1 SETTING - 900 RPM			N/C
80G-004	PTO MINIMUM RPM - 900			N/C

Engine Equipment

99C-017	2016-2019 ONBOARD DIAGNOSTICS/2010 EPA/CARB/FINAL GHG17 CONFIGURATION			STD
99D-011	2008 CARB EMISSION CERTIFICATION - CLEAN IDLE (INCLUDES 6X4 INCH LABEL ON LOWER FORWARD CORNER OF DRIVER DOOR)			\$106.00
13E-001	STANDARD OIL PAN			STD
105-001	ENGINE MOUNTED OIL CHECK AND FILL			STD
133-004	ONE PIECE VALVE COVER			STD
014-041	DUAL POLISHED STAINLESS STEEL 13 INCH DONALDSON COWL MOUNTED 1-STAGE AIR CLEANERS WITH POLISHED STAINLESS STEEL BANDS	40		\$933.00
124-1DJ	DR 12V 160 AMP 36-SI BRUSHLESS QUADRAMOUNT PAD ALTERNATOR WITH REMOTE BATTERY VOLT SENSE	10		\$134.00
292-214	(4) DTNA GENUINE, FLOODED STARTING AND CYCLING, MIN 2800CCA, 760RC, THREADED STUD BATTERIES	50	10	\$177.00
290-1D2	STACK BATTERY BOX			STD
282-002	SINGLE BATTERY BOX FRAME MOUNTED RH SIDE UNDER CAB			STD



Prepared for:



Prepared by:
Warren Christie
WINACOTT EQUIPMENT
GROUP
3002 FAITHFUL AVE
SASKATOON, SK S7K0B1
Phone: 3069314448

Data Code	Description	Weight Front	Weight Rear	Retail Price
291-017	WIRE GROUND RETURN FOR BATTERY CABLES WITH ADDITIONAL FRAME GROUND RETURN			STD
289-001	NON-POLISHED BATTERY BOX COVER			STD
293-060	POSITIVE LOAD DISCONNECT WITH CAB MOUNTED CONTROL SWITCH WITH LOCKING PROVISION MOUNTED OUTBOARD DRIVER SEAT	8		\$158.00
295-029	POSITIVE AND NEGATIVE POSTS FOR JUMPSTART LOCATED ON FRAME NEXT TO STARTER	2		\$100.00
180-100	EATON ADVANTAGE 15-1/2 INCH SELF ADJUSTING CLUTCH			\$305.00
183-008	TORQUE LIMITING CLUTCH BRAKE			STD
181-002	ZERK FITTING WITH EXTENSION HOSE AT CLUTCH RELEASE BEARING			\$15.00
107-044	BW MODEL BA-921 19.0 CFM SINGLE CYLINDER AIR COMPRESSOR WITH SAFETY VALVE			STD
131-013	AIR COMPRESSOR DISCHARGE LINE			STD
152-041	ELECTRONIC ENGINE INTEGRAL SHUTDOWN PROTECTION SYSTEM			STD
128-002	JACOBS COMPRESSION BRAKE			STD
016-1C4	RH OUTBOARD UNDER STEP MOUNTED HORIZONTAL AFTERTREATMENT SYSTEM ASSEMBLY WITH DUAL CAB MOUNTED VERTICAL TAILPIPES	55	33	\$813.00
28F-007	ENGINE AFTERTREATMENT DEVICE, AUTOMATIC OVER THE ROAD ACTIVE REGENERATION AND DASH MOUNTED SINGLE REGENERATION REQUEST/INHIBIT SWITCH			\$2.00
239-050	12 FOOT 06 INCH (150 INCH+0/-5.9 INCH) EXHAUST SYSTEM HEIGHT			\$52.00
233-020	30 DEGREE CURVE BRIGHT UPPER STACK(S) AND ELBOW(S)			\$442.00
237-1DB	DUAL 30 DEGREE CURVED VERTICAL TAILPIPES B-PILLAR MOUNTED			\$15.00
23U-003	23 GALLON DIESEL EXHAUST FLUID TANK			STD
30N-003	100 PERCENT DIESEL EXHAUST FLUID FILL			STD
23Z-002	NON-POLISHED ALUMINUM DIAMOND PLATE DIESEL EXHAUST FLUID TANK COVER			STD
43X-001	LH HEAVY DUTY STANDARD DIESEL EXHAUST FLUID TANK LOCATION			STD
43Y-001	STANDARD DIESEL EXHAUST FLUID TANK CAP			STD
242-021	OVAL PERFORATED DUAL STAINLESS STEEL MUFFLER/TAILOPIPE SHIELDS WITH WESTERN STAR LOGO			\$70.00



Prepared for:

[REDACTED]

Prepared by:
Warren Christie
WINACOTT EQUIPMENT
GROUP
3002 FAITHFUL AVE
SASKATOON, SK S7K0B1
Phone: 3069314448

Data Code	Description	Weight Front	Weight Rear	Retail Price
273-018	HORTON DRIVEMASTER ADVANTAGE ON/OFF FAN DRIVE			\$97.00
276-002	AUTOMATIC FAN CONTROL WITH DASH SWITCH AND INDICATOR LIGHT, NON ENGINE MOUNTED			\$17.00
110-068	DDC SUPPLIED ENGINE MOUNTED FUEL FILTER/FUEL WATER SEPARATOR WITH WATER-IN-FUEL INDICATOR			STD
118-001	FULL FLOW OIL FILTER			STD
266-1AE	1750 SQUARE INCH COPPER/BRASS RADIATOR	100		\$1,322.00
267-006	MOUNTING FOR FIREWALL MOUNTED SURGE TANK			STD
103-037	ANTIFREEZE TO -60F, ETHYLENE GLYCOL PRE-CHARGED SCA HEAVY DUTY COOLANT			\$35.00
171-007	GATES BLUE STRIPE COOLANT HOSES OR EQUIVALENT			STD
172-010	CONSTANT TENSION HOSE CLAMPS FOR COOLANT HOSES AND AIR INTAKE SYSTEM			\$96.00
270-023	HDEP FIXED RATIO COOLANT PUMP AND RADIATOR DRAIN VALVE			STD
138-005	PHILLIPS-TEMRO 1500 WATT/115 VOLT BLOCK HEATER	4		\$24.00
166-005	PHILLIPS-TEMRO 300 WATT/115 VOLT OIL PREHEATER	4		\$56.00
140-041	CHROME COMMON BLOCK AND OIL PAN HEATER RECEPTACLE MOUNTED UNDER LH DOOR			\$86.00
155-075	MITSUBISHI 12V MOD 3.175-DP60 STARTER WITH INTEGRATED MAGNETIC SWITCH			STD
109-007	CAST IRON FRONT AND REAR ENGINE SUPPORTS			STD

Transmission

342-1BP	EATON FULLER RTLO-18918B TRANSMISSION	90	40	\$5,241.00
---------	---------------------------------------	----	----	------------

Transmission Equipment

347-002	ALUMINUM CLUTCH HOUSING	-50		\$114.00
362-1T8	CUSTOMER INSTALLED CHELSEA 812 SERIES PTO			N/C
363-003	PTO MOUNTING, BOTTOM OF MAIN TRANSMISSION			\$26.00
345-001	PAINTED SHIFT LEVER, SOLID LINKAGE			STD
370-002	AIR TO OIL TRANSMISSION COOLER			\$277.00
35T-003	SYNTHETIC TRANSMISSION LUBE			STD



Prepared for:



Prepared by:
Warren Christie
WINACOTT EQUIPMENT
GROUP
3002 FAITHFUL AVE
SASKATOON, SK S7K0B1
Phone: 3069314448

Data Code	Description	Weight Front	Weight Rear	Retail Price
Front Axle and Equipment				
400-1A7	DETROIT DA-F-13.3-3 13,300# FF1 71.5 KPI/3.74 DROP SINGLE FRONT AXLE			\$269.00
402-049	MERITOR 16.5X5 Q+ CAST SPIDER CAM FRONT BRAKES, DOUBLE ANCHOR, FABRICATED SHOES			\$23.00
403-043	2011/2013-FMVSS 121 RSD FRONT BRAKE LINING			STD
419-023	CONMET CAST IRON FRONT BRAKE DRUMS			STD
427-001	FRONT BRAKE DUST SHIELDS	5		\$84.00
409-006	FRONT OIL SEALS			STD
408-017	SKF SCOTSEAL TF VENTED FRONT HUB CAPS WITH WINDOW, CENTER AND SIDE PLUGS - OIL			(\$5.00)
416-022	STANDARD SPINDLE NUTS FOR ALL AXLES			STD
405-002	MERITOR AUTOMATIC FRONT SLACK ADJUSTERS			STD
536-050	TRW THP-60 POWER STEERING			STD
539-003	POWER STEERING PUMP			STD
534-003	4 QUART POWER STEERING RESERVOIR	5		\$53.00
40T-002	SYNTHETIC 75W-90 FRONT AXLE LUBE			STD
Front Suspension				
620-1D8	13,300# TAPERLEAF FRONT SUSPENSION	30		\$269.00
619-002	THREADED SPRING PINS AND BUSHINGS - FRONT SUSPENSION			STD
62G-001	ALUMINUM SPACER BLOCKS FOR FRONT SUSPENSIONS			STD
N 62H-998	NO FRONT SUSPENSION SPRING BRACKET OPTIONS			N/C
410-001	FRONT SHOCK ABSORBERS			STD
Rear Axle and Equipment				
420-111	RT-46-160P 46,000# R-SERIES TANDEM REAR AXLE		450	\$4,005.00
421-410	4.10 REAR AXLE RATIO			N/C
424-001	IRON REAR AXLE CARRIER WITH STANDARD AXLE HOUSING			STD
386-019	SPL250HD XL DANA SPICER MAIN DRIVELINE WITH HALF ROUND YOKES	40	40	\$1,033.00
388-012	SPL170 XL DANA SPICER INTERAXLE DRIVELINE WITH HALF ROUND YOKES		10	\$406.00
452-006	DRIVER CONTROLLED TRACTION DIFFERENTIAL - BOTH TANDEM REAR AXLES		30	\$1,291.00



Prepared for:



Prepared by:
 Warren Christie
 WINACOTT EQUIPMENT
 GROUP
 3002 FAITHFUL AVE
 SASKATOON, SK S7K0B1
 Phone: 3069314448

Data Code	Description	Weight Front	Weight Rear	Retail Price
878-022	(1) INTERAXLE LOCK VALVE, (1) DRIVER CONTROLLED DIFFERENTIAL LOCK FORWARD-REAR AXLE VALVE AND (1) REAR-REAR AXLE VALVE			\$35.00
87A-005	INDICATOR LIGHT FOR EACH INTERAXLE LOCKOUT SWITCH			STD
87B-008	INDICATOR LIGHT FOR EACH DRIVER CONTROLLED TRACTION DEVICE SWITCH			N/C
423-019	MERITOR 16.5X8.62 Q+ CAST SPIDER CAM REAR BRAKES, DOUBLE ANCHOR, FABRICATED SHOES			N/C
433-043	2011/2013-FMVSS 121 RSD REAR BRAKE LININGS			STD
434-003	STANDARD BRAKE CHAMBER LOCATION			N/C
* 451-023	CONMET CAST IRON REAR BRAKE DRUMS			STD
440-006	REAR OIL SEALS			STD
426-101	WABCO TRISTOP D LONGSTROKE 2-DRIVE AXLE SPRING PARKING CHAMBERS			STD
428-003	HALDEX AUTOMATIC REAR SLACK ADJUSTERS			\$97.00
41T-002	SYNTHETIC 75W-90 REAR AXLE LUBE			N/C
42T-001	STANDARD REAR AXLE BREATHER(S)			STD

Rear Suspension

622-1H2	HENDRICKSON PRIMAAX EX 46,000# REAR AIR SUSPENSION		490	\$5,603.00
621-125	HENDRICKSON PRIMAAX 10.00" RIDE HEIGHT			N/C
431-003	AXLE CLAMPING GROUP			N/C
624-009	54 INCH AXLE SPACING			N/C
888-003	MANUAL DUMP VALVE FOR AIR SUSPENSION WITH INDICATOR LIGHT AND GAUGE			STD
910-001	SINGLE AIR REAR SUSPENSION LEVELING VALVE			STD
623-002	TRANSVERSE CONTROL RODS			STD
439-005	REAR SHOCK ABSORBERS - TWO AXLES (TANDEM) (AIR RIDE SUSPENSION)			STD

Brake System

N	490-100	WABCO 4S/4M ABS		(\$114.00)
	871-023	REINFORCED NYLON AIR LINES		STD
	904-001	FIBER BRAID PARKING BRAKE HOSE		STD
	412-001	STANDARD BRAKE SYSTEM VALVES		STD
	432-013	COMBO-ABS/SERVICE BRAKE VALVE WITH 5.5 PSI CRACK PRESSURE		N/C



Prepared for:



Prepared by:
Warren Christie
WINACOTT EQUIPMENT
GROUP
3002 FAITHFUL AVE
SASKATOON, SK S7K0B1
Phone: 3069314448

Data Code	Description	Weight Front	Weight Rear	Retail Price
480-088	WABCO SYSTEM SAVER HP WITH INTEGRAL AIR GOVERNOR AND HEATER			STD
479-003	AIR DRYER MOUNTED INBOARD ON LH RAIL			STD
460-090	STEEL AIR BRAKE RESERVOIRS, NO TRIPLE OR TORPEDO TANKS			\$155.00
477-004	PULL CABLES ON ALL AIR RESERVOIR(S)			STD
485-037	CAB BLOW OUT KIT WITH AIR HOSE AND NOZZLE INSIDE LH CAB ENTRY DOOR	2		\$120.00

Trailer Connections

481-003	12 FOOT STRAIGHT TRAILER AIR HOSE			STD
476-003	42.5 INCH STAINLESS STEEL SLIDE BAR WITH SPRING TYPE TRAILER AIR HOSE HANGER	2		(\$10.00)
484-006	COMBINATION DUMMY GLAD HANDS AND LIGHT PLUG HOLDER			\$14.00
296-010	PRIMARY CONNECTOR/RECEPTACLE WIRED FOR SEPARATE STOP/TURN, ABS CENTER PIN POWERED THROUGH IGNITION			STD
297-005	SAE J560 7-WAY PRIMARY TRAILER CABLE RECEPTACLE FRAME MOUNTED AFT CAB			STD
308-002	SUPPLEMENTAL RECEPTACLE WIRED FOR COMPLIANCE WITH ADR REQUIREMENTS			\$261.00
331-001	SUPPLEMENTAL J560 7-WAY RECEPTACLE LOCATED WITH PRIMARY RECEPTACLE			\$60.00
310-002	12 FOOT DETACHABLE STRAIGHT PRIMARY TRAILER ELECTRICAL CABLE WITH SAE J560 CONNECTOR			STD

Wheelbase & Frame

545-597	5975MM (235 INCH) WHEELBASE			N/C
546-087	3/8X3-1/2X10-3/4 INCH STEEL FRAME 120KSI	550	-30	\$822.00
552-017	1475MM (58 INCH) REAR FRAME OVERHANG			STD
55W-005	FRAME OVERHANG RANGE: 51 INCH TO 60 INCH			N/C
AC8-99D	CALC'D BACK OF CAB TO REAR SUSP C/L (CA) : 97.95 in			
AE8-99D	CALCULATED EFFECTIVE BACK OF CAB TO REAR SUSPENSION C/L (CA) : 93.95 in			
AE4-99D	CALC'D FRAME LENGTH - OVERALL : 324.34			
ZF1-99D	FRAME HEIGHT TOP FRONT UNLADEN : 0.0 in			
ZF2-99D	FRAME HEIGHT TOP FRONT LADEN : 31.05 in			
ZF3-99D	FRAME HEIGHT TOP REAR UNLADEN : 43.07 in			
ZF4-99D	FRAME HEIGHT TOP REAR LADEN : 41.62 in			
FSS-0LH	CALCULATED FRAME SPACE LH SIDE : 44.93 in			N/C



Prepared for:

[REDACTED]

Prepared by:
Warren Christie
WINACOTT EQUIPMENT
GROUP
3002 FAITHFUL AVE
SASKATOON, SK S7K0B1
Phone: 3069314448

Data Code	Description	Weight Front	Weight Rear	Retail Price
FSS-0RH	CALCULATED FRAME SPACE RH SIDE : 19.43 in			N/C
AM6-99D	CALC'D SPACE AVAILABLE FOR DECKPLATE : 63.97 in			
553-002	FLANGED TAPERED END OF FRAME			STD
550-001	FRONT CLOSING CROSSMEMBER			STD
561-009	EXTRA HEAVY DUTY STEEL C-CHANNEL BOLTED CONSTRUCTION BACK OF TRANSMISSION CROSSMEMBER			STD
562-022	EXTRA HEAVY DUTY STEEL C-CHANNEL BOLTED CONSTRUCTION MIDSHIP #1 CROSSMEMBER			STD
572-001	STANDARD REARMOST CROSSMEMBER			STD
56C-001	STANDARD WEIGHT REAR SUSPENSION FORWARD CROSSMEMBER			STD
565-002	HEAVY DUTY SUSPENSION CROSSMEMBER			N/C
568-006	EXTRA HEAVY DUTY STEEL C-CHANNEL BOLTED CONSTRUCTION REAR MOUNTED SUSPENSION CROSSMEMBER			STD

Chassis Equipment

674-021	LH AND RH BACK OF CAB ACCESS, GRAB HANDLES WITH SINGLE RUBBER INSERT	5	5	\$65.00
592-154	54 INCH (1372MM) OPEN-GRATE TOP OF RAIL DECK PLATE	10	10	\$180.00
665-011	LH FRAME MOUNTED STEP			STD
556-018	18 INCH CHROMED STEEL BUMPER	20		\$595.00
558-026	NON REMOVABLE CENTERED FRONT TOW PIN FOR HIGHWAY OR CONSTRUCTION BUMPER			STD
574-001	BUMPER MOUNTING FOR SINGLE LICENSE PLATE			STD
585-065	GROEN NF30SS STAINLESS STEEL COILED SPRING MUDFLAP BRACKETS		10	\$112.00
590-032	WESTERN STAR LOGO BLACK MUDFLAPS			STD
586-024	FENDER AND FRONT OF HOOD MOUNTED FRONT MUDFLAPS	10		\$30.00
551-007	GRADE 8 THREADED HEX HEADED FRAME FASTENERS			STD

Fifth Wheel

578-230	HOLLAND FW35R/S 24 INCH SEVERE DUTY AIR SLIDE		183	\$1,140.00
577-457	FIFTH WHEEL 457MM (18.0 INCHES) AHEAD OF SUSPENSION CENTERLINE			N/C
582-034	232MM (9.12 INCH) FIFTH WHEEL HEIGHT		5	N/C



Prepared for:

[REDACTED]

Prepared by:
Warren Christie
WINACOTT EQUIPMENT
GROUP
3002 FAITHFUL AVE
SASKATOON, SK S7K0B1
Phone: 3069314448

Data Code	Description	Weight Front	Weight Rear	Retail Price
570-002	INBOARD ANGLE - FIFTH WHEEL MOUNTING			STD
890-001	DASH MOUNTED CONTROL VALVE AND PLUMBING FOR FIFTH WHEEL			STD
579-005	LH FIFTH WHEEL RELEASE			N/C

Fuel Tanks

206-165	125 GALLON/473 LITER ALUMINUM FUEL TANK - RH	130	50	\$1,121.00
204-165	125 GALLON/473 LITER ALUMINUM FUEL TANK - LH	5	10	\$117.00
218-006	25 INCH DIAMETER FUEL TANK(S)			STD
20G-003	LH ADDITIONAL STEEL FUEL TANK BRACKET(S) WITH SEVERE SERVICE STRAPS	40	10	\$174.00
20H-003	RH ADDITIONAL STEEL FUEL TANK BRACKET(S) WITH SEVERE SERVICE STRAPS	40	10	\$243.00
215-007	PLAIN ALUMINUM/PAINTED STEEL FUEL/HYDRAULIC TANK(S) WITH POLISHED STAINLESS STEEL BANDS			\$194.00
212-014	LH FUEL TANK MOUNTED FORWARD, RH FUEL TANK MOUNTED AFT			\$616.00
67J-005	LH AND RH FULL LENGTH FUEL TANK STEPS	9	9	\$76.00
664-001	PLAIN STEP FINISH			STD
211-001	FUEL TANK COMPRESSION BRACE	30		N/C
205-002	CHROME FUEL TANK CAP(S)			\$14.00
216-020	EQUIFLO INBOARD FUEL SYSTEM			STD
202-016	HIGH TEMPERATURE REINFORCED NYLON FUEL LINE			STD
213-001	INSULATION FOR FUEL LINES	2		\$177.00
221-998	NO FUEL COOLER	-10		(\$214.00)
847-003	IN TANK FUEL LEVEL SENDER MOUNTED IN RIGHT HAND FUEL TANK			\$6.00

Tires

093-1G5	MICHELIN XZE2 11R24.5 14 PLY RADIAL FRONT TIRES	28		(\$38.00)
094-2BV	MICHELIN XDS2 11R24.5 16 PLY RADIAL REAR TIRES		192	\$1,032.00

Hubs

418-058	CONMET PRESET PLUS PREMIUM ALUMINUM FRONT HUBS			STD
450-058	CONMET PRESET PLUS PREMIUM ALUMINUM REAR HUBS			STD

Wheels



Prepared for:



Prepared by:
Warren Christie
WINACOTT EQUIPMENT
GROUP
3002 FAITHFUL AVE
SASKATOON, SK S7K0B1
Phone: 3069314448

Data Code	Description	Weight Front	Weight Rear	Retail Price
502-1J0	ACCURIDE 41362 ACCU-LITE 24.5X8.25 10-HUB PILOT 10-HAND ALUMINUM DISC FRONT WHEELS	-32		\$324.00
505-1J0	ACCURIDE 41362 ACCU-LITE 24.5X8.25 10-HUB PILOT 10-HAND ALUMINUM DISC REAR WHEELS		-128	\$1,296.00
524-002	POLISHED FRONT WHEELS; INSIDE AND OUTSIDE			\$54.00
525-002	POLISHED REAR WHEELS; OUTSIDE AND INSIDE (BOTH SIDES)			\$96.00
50T-998	NO FRONT HUB COVERS			STD
496-011	FRONT WHEEL MOUNTING NUTS			STD
497-011	REAR WHEEL MOUNTING NUTS			STD
Cab Exterior				
829-1AB	123 INCH BBC STEEL CONVENTIONAL CAB			STD
682-065	54 INCH STAR LIGHT ULTRA LOW ROOF SLEEPER	200	300	\$14,204.00
82A-010	WESTERN STAR STAINLESS STEEL CAB AND SLEEPER SKIRT	10	5	\$203.00
704-039	17.5X25.0 INCH LH AND RH BAGGAGE DOORS WITH PUSHBUTTON LATCH RELEASE AND BAGGAGE RETAINING LIP			\$61.00
650-044	AIR CAB MOUNTS WITH CHECK VALVE			STD
705-007	STAINLESS STEEL SILL PLATES	5		\$52.00
648-002	NONREMOVABLE BUGSCREEN MOUNTED BEHIND GRILLE			\$65.00
695-001	LH SLEEPER DOOR			N/C
667-022	LARGE PROFILE FRONT FENDER			STD
678-039	LH AND RH EXTERIOR GRAB HANDLES WITH RUBBER INSERT AND LH AND RH INTERIOR GRAB HANDLES MOUNTED TO A POST			\$7.00
645-004	STAINLESS STEEL RADIATOR SHELL/HOOD BEZEL WITH STYLIZED TILT HOOD HANDLE			STD
646-002	RADIATOR MOUNTED GRILLE			\$100.00
640-008	GALVANEALD STEEL SEVERE SERVICE CAB	50		\$430.00
644-002	ONE PIECE FIBERGLASS HOOD			STD
643-002	HEAVY DUTY HOOD MOUNTING			N/C
727-012	DUAL HADLEY SD-978 26 INCH RECTANGULAR AIR HORNS	4		\$129.00
726-001	SINGLE ELECTRIC HORN			STD
728-002	DUAL HORN SHIELDS			N/C
657-1AF	DOORS AND IGNITION KEYED THE SAME (3 KEYS)			\$9.00



Prepared for:



Prepared by:
Warren Christie
WINACOTT EQUIPMENT
GROUP
3002 FAITHFUL AVE
SASKATOON, SK S7K0B1
Phone: 3069314448

Data Code	Description	Weight Front	Weight Rear	Retail Price
327-005	DUAL AMBER ELECTRONIC STROBE LIGHTS WITH STAINLESS STEEL BRACKETS	20		\$702.00
312-085	DUAL RECTANGULAR LED HEADLIGHTS			\$1,135.00
302-022	LED MARKER LAMPS			STD
305-025	LED ACCENT LIGHTS ON INTAKE BRACKET AND LOWER EDGE OF CAB AND SLEEPER	15		\$848.00
315-101	PERLUX 500SRS RECTANGULAR FOG LIGHTS IN BUMPER WITH CLEAR LENS, BLACK HOUSING AND ROCK GUARD	6		\$253.00
311-001	DAYTIME RUNNING LIGHTS			STD
294-082	LED STOP/TAIL/TURN WITH INCANDESCENT BACKUP LIGHTS MOUNTED IN BOX UNDER END OF FRAME		15	\$158.00
300-045	LED SQUARE CHROME FENDER MOUNTED FRONT TURN SIGNALS			\$57.00
318-1E5	(4) UTILITY LIGHTS: (2) CHROME SWIVEL LED MOUNTED LH AND RH HIGH ON STAINLESS STEEL BRACKETS BACK OF SLEEPER AND (2) FLUSH MOUNTED INCANDESCENT BACK OF SLEEPER	12		\$346.00
744-1DH	DUAL MEKRA AERO BRIGHT FINISH HEATED DUAL AXIS 1-PIECE MOTORIZED MIRRORS WITH LIGHTS, LH AND RH REMOTE AND INTEGRAL CONVEX MIRRORS	20		\$911.00
797-002	CAB MOUNTED MIRRORS			\$256.00
796-001	102 INCH EQUIPMENT WIDTH			STD
743-1AX	DUAL MEKRA BRIGHT FINISH HEATED CONVEX MIRRORS WITH MANUAL ADJUSTMENT AND DUAL AXIS FOR 1-PIECE PRIMARY MIRRORS			N/C
74A-001	RH DOWN VIEW MIRROR			STD
729-001	STANDARD SIDE/REAR REFLECTORS			STD
73A-002	REAR REFLECTIVE DEVICE			STD
787-004	REMOTE KEYLESS ENTRY AND 2 TRANSMITTERS	2		\$386.00
677-016	DUAL LEVEL CAB ENTRY STEPS ON BOTH SIDES			STD
776-016	STAINLESS STEEL SLEEPER VENT, LH			\$20.00
764-002	STAINLESS STEEL EXTERIOR SUN VISOR	28		\$314.00
768-998	NO REAR WINDOW	-20		N/C
661-006	TINTED DOOR GLASS			STD
654-011	RH AND LH ELECTRIC POWERED WINDOWS			STD
767-046	25X37.25 INCH TINTED SIDE WINDOW RH			N/C
663-014	2-PIECE TINTED CURVED BONDED WINDSHIELD			STD



Prepared for:

[REDACTED]

Prepared by:
Warren Christie
WINACOTT EQUIPMENT
GROUP
3002 FAITHFUL AVE
SASKATOON, SK S7K0B1
Phone: 3069314448

Data Code	Description	Weight Front	Weight Rear	Retail Price
659-016	1.5 GALLON WINDSHIELD WASHER RESERVOIR MOUNTED UNDER CAB WITH REMOTE FILL			STD
647-001	WHITE WINTERFRONT	2		\$98.00
Cab Interior				
707-1D1	GRAY/MAPLE LEAF RED VINYL PREMIUM INTERIOR			\$404.00
70K-005	BLACK HARD TRIM			STD
706-048	PREMIUM LEFT HAND DOOR TRIM WITH CHERRY ACCENT			\$151.00
708-048	PREMIUM RIGHT HAND DOOR TRIM WITH CHERRY ACCENT			N/C
772-007	BLACK MATS WITH DOUBLE INSULATION			\$19.00
773-013	BLACK CARPET WITH DOUBLE INSULATION IN SLEEPER	10		\$174.00
771-003	BAGGAGE COMPARTMENT BLACK FLOOR MATS WITH PREMIUM NOISE ABATEMENT AND INSULATION			N/C
785-007	DASH MOUNTED ASH TRAY AND LIGHTER, DRIVER SIDE			STD
636-015	LH UPPER UPHOLSTERED STORAGE SHELF	5	5	\$288.00
638-015	RH UPPER UPHOLSTERED STORAGE SHELF			N/C
691-001	FORWARD ROOF MOUNTED CONSOLE			STD
694-009	PASSENGER SIDE WING DASH MOUNTED GLOVE BOX WITH LOCKING DOOR			STD
693-025	LH AND RH DOOR MAP POCKETS			STD
741-015	(2) COAT HOOKS ON BACKWALL OF CAB			STD
826-011	35 INCH WIDE LIFTABLE LOWER BUNK			N/C
666-001	LOWER BUNK RESTRAINT			N/C
738-002	DIGITAL FLUSH MOUNTED ALARM CLOCK IN SLEEPER			\$82.00
742-032	(1) DOUBLE CUP HOLDER WITH CELL PHONE HOLDER LH OR RH DASH			STD
680-033	BLACK SOFT TOUCH WING DASH WITH DRIVER SIDE COSMETIC UNDER DASH COVER			STD
320-004	STANDARD WIRING			STD
700-023	HEATER, DEFROSTER AND AIR CONDITIONER WITH CONSTANT TEMPERATURE CONTROL AND COSMETIC COVER			STD
701-002	HVAC DUCTING WITH MAIN FRESH AIR FILTER			\$144.00
689-001	HEATER/AIR CONDITIONER IN SLEEPER AREA			N/C
170-045	STANDARD HEATER PLUMBING WITH BALL SHUTOFF VALVES AT SUPPLY LINES ONLY			\$18.00



Prepared for:

[REDACTED]

Prepared by:
Warren Christie
WINACOTT EQUIPMENT
GROUP
3002 FAITHFUL AVE
SASKATOON, SK S7K0B1
Phone: 3069314448

Data Code	Description	Weight Front	Weight Rear	Retail Price
130-041	VALEO HEAVY DUTY A/C REFRIGERANT COMPRESSOR			STD
698-001	RADIATOR MOUNTED AIR CONDITIONER CONDENSER			STD
739-002	ADDITIONAL CAB SIDEWALL INSULATION	60	10	\$162.00
73D-010	ADDITIONAL SLEEPER INSULATION	25	25	\$411.00
285-019	AUTOMATIC SELF-RESET CIRCUIT BREAKER IN MAIN DASH POWER DISTRIBUTION BOX AND CIRCUIT BREAKER/FUSE IN AUXILIARY POWER DISTRIBUTION BOXES			STD
322-038	DOOR AND BUNK ACTIVATED LH AND RH BUNK MOUNTED LED BAGGAGE COMPARTMENT LIGHTS			\$115.00
324-076	DOOR ACTIVATED DOME LIGHT, UNDER DASH LIGHT WITH LH AND RH DOOR MOUNTED COURTESY LIGHTS AND LH AND RH READING LIGHTS			\$61.00
325-072	(2) DOME LIGHTS, (1) FLOOR LIGHT AND (1) SWIVEL READING LIGHT			\$43.00
655-005	LH AND RH ELECTRIC DOOR LOCKS			N/C
64C-002	BRIGHT DOOR HANDLES			STD
740-002	SPRING MATTRESS IN SLEEPER	15	15	\$7.00
284-070	(1) 12 VOLT POWER OUTLET BELOW BUNK			N/C
710-001	CAB PRIVACY CURTAIN	5		\$263.00
722-028	TRIANGULAR REFLECTORS KIT WITHOUT FLARES SHIPPED LOOSE IN CAB	10		\$23.00
756-1E1	ELITE HIGH BACK AIR SUSPENSION DRIVER SEAT WITH HEAT, 3 CHAMBER AIR LUMBAR, INTEGRATED CUSHION EXTENSION, FORWARD AND REAR CUSHION TILT AND ADJUSTABLE SHOCK	20		\$327.00
760-1DD	BASIC HIGH BACK AIR SUSPENSION PASSENGER SEAT WITH 1 CHAMBER AIR LUMBAR, INTEGRATED CUSHION EXTENSION AND REAR CUSHION TILT			STD
757-002	BLACK SUSPENSION COVER FOR DRIVER AND PASSENGER SEATS	4		\$78.00
759-005	DUAL DRIVER AND PASSENGER SEAT ARMRESTS	8		\$142.00
758-122	SINGLE COLOR LAREDO LEATHER DRIVER SEAT COVER			\$124.00
761-122	SINGLE COLOR LAREDO LEATHER PASSENGER SEAT COVER			\$118.00
763-003	3 POINT DRIVER AND PASSENGER SEAT BELT RETRACTORS			STD



Prepared for:



Prepared by:
Warren Christie
WINACOTT EQUIPMENT
GROUP
3002 FAITHFUL AVE
SASKATOON, SK S7K0B1
Phone: 3069314448

Data Code	Description	Weight Front	Weight Rear	Retail Price
709-006	SLEEPER CURTAIN			N/C
532-002	ADJUSTABLE TILT AND TELESCOPING STEERING COLUMN			STD
540-067	2-SPOKE 18 INCH (450MM) CHERRY WOOD LEATHER WRAPPED			\$314.00
765-021	DRIVER AND PASSENGER INTERIOR SUN VISORS WITH ILLUMINATED VANITY MIRRORS			\$7.00

Instruments & Controls

185-002	NON-ADJUSTABLE SUSPENDED PEDALS			STD
732-047	FIGURED CHERRY WOODGRAIN ULTRA GLOSS FINISH DRIVER INSTRUMENT PANEL			\$104.00
734-047	FIGURED CHERRY WOODGRAIN ULTRA GLOSS FINISH CENTER INSTRUMENT PANEL			N/C
870-005	STAR GAUGES WITH BRIGHT BEZELS			\$20.00
838-010	(1) TRACTOR AND (1) TRAILER BRAKE APPLICATION AIR GAUGE			\$114.00
840-020	PRIMARY, SECONDARY AND TRAILER AIR PRESSURE GAUGES			\$49.00
198-024	FILTERMINDER DASH MOUNTED AIR RESTRICTION GAUGE	2		\$54.00
721-001	97 DB BACKUP ALARM		3	\$73.00
149-012	CRUISE CONTROL SWITCHES IN THE CENTER PANEL			STD
156-007	KEY OPERATED IGNITION SWITCH AND INTEGRAL START POSITION; 4 POSITION OFF/RUN/START/ACCESSORY			STD
811-1AJ	DATASTAR DRIVER DISPLAY AND WARNING LAMP/LIGHT BAR DISPLAY, NON-DATA LINKED			\$216.00
160-038	HEAVY DUTY ONBOARD DIAGNOSTICS INTERFACE CONNECTOR LOCATED BELOW LH DASH			STD
844-001	2 INCH ELECTRIC FUEL GAUGE			STD
845-011	FUEL FILTER RESTRICTION INDICATOR			STD
148-085	EMISSIONS LIMITED IDLE ADJUST			STD
866-009	DUAL REAR AXLE TEMPERATURE GAUGES WITH SENSOR SHIELD			\$192.00
856-001	ELECTRICAL ENGINE COOLANT TEMPERATURE GAUGE			STD
854-001	ENGINE OIL TEMPERATURE GAUGE			\$40.00
864-001	2 INCH TRANSMISSION OIL TEMPERATURE GAUGE			\$68.00



Prepared for:

[REDACTED]

Prepared by:
Warren Christie
WINACOTT EQUIPMENT
GROUP
3002 FAITHFUL AVE
SASKATOON, SK S7K0B1
Phone: 3069314448

	Data Code	Description	Weight Front	Weight Rear	Retail Price
	867-016	OUTSIDE AIR TEMPERATURE GAUGE WITH FAHRENHEIT AND CELSIUS DISPLAY MOUNTED IN OVERHEAD CONSOLE			\$110.00
	372-033	DASH MOUNTED PTO CONTROLS WITH INDICATOR LIGHT AND PARK BRAKE INTERLOCK	5		\$134.00
N	49B-998	NO VEHICLE STABILITY ADVISOR OR CONTROL			(\$1,565.00)
	852-002	ELECTRIC ENGINE OIL PRESSURE GAUGE			STD
	1U1-001	TOP OF DASH NAVIGATION PREP WITH POWER AND GROUND			\$56.00
	746-116	AM/FM/WB WORLD TUNER RADIO WITH SIRIUS XM, CD PLAYER, BLUETOOTH, IPOD INTERFACE AND USB AND AUXILIARY INPUTS, J1939	10		\$558.00
	747-002	ROOF/OVERHEAD CONSOLE MOUNTED RADIO			N/C
	750-024	(6) RADIO SPEAKERS: (2) IN CAB OVERHEAD CONSOLE, (1) IN EACH DOOR AND (2) IN SLEEPER			\$156.00
	753-019	AM/FM ANTENNA MOUNTED ON RH FRONT A-PILLAR			\$32.00
	748-019	COBRA 29 WX ST FACTORY INSTALLED CB RADIO WITH WEATHERBAND	5		\$251.00
	752-018	MULTI-BAND AM/FM/WB/CB DUAL MIRROR MOUNTED ANTENNA SYSTEM	4		\$49.00
	78C-003	INTEROPERABLE SDAR ANTENNA			\$84.00
	75A-002	UHF/VHF RADIO POWER/GROUND HARNESS TO OVERHEAD INSTRUMENT PANEL			\$10.00
	75B-104	REAR CENTER ROOF MOUNTED UHF/VHF RADIO ANTENNA			\$35.00
	810-043	ELECTRONIC KPH SPEEDOMETER WITH SECONDARY MPH SCALE, WITH ODOMETER			N/C
	812-003	ELECTRONIC 3000 RPM TACHOMETER WITH HOUR METER			\$22.00
	813-1B4	VT-HU CONNECTIVITY PLATFORM HARDWARE			STD
	8D1-003	3 YEARS DETROIT CONNECT BASE PACKAGE (VIRTUAL TECHNICIAN, DETROIT CONNECT PORTAL ACCESS) FOR VT-HU CONNECTIVITY PLATFORM			N/C
	162-002	IGNITION SWITCH CONTROLLED ENGINE STOP			STD
	329-010	TWO ON/OFF ROCKER SWITCHES IN THE DASH WITH INDICATOR LIGHTS AND WIRE ROUTED TO CHASSIS AT BACK OF CAB, LABEL OPT			\$81.00
	44Z-001	EXTERIOR HARNESES WRAPPED IN CONDUIT			STD
	482-001	BW TRACTOR PROTECTION VALVE			STD
	883-001	TRAILER HAND CONTROL BRAKE VALVE			STD



Prepared for:



Prepared by:
Warren Christie
WINACOTT EQUIPMENT
GROUP
3002 FAITHFUL AVE
SASKATOON, SK S7K0B1
Phone: 3069314448

Data Code	Description	Weight Front	Weight Rear	Retail Price
842-001	2 INCH TURBO AIR PRESSURE GAUGE			\$34.00
836-001	2 INCH VOLTMETER			STD
660-001	SINGLE ELECTRIC WINDSHIELD WIPER MOTOR WITH DELAY AND ARCTIC TYPE BLADES			\$16.00
304-015	CAB/TRAILER MARKER LIGHT SWITCH WITH SEPARATE HEADLIGHT SWITCH			STD
882-004	TWO VALVE PARKING BRAKE SYSTEM WITH WARNING INDICATOR			STD
299-037	SELF CANCELING TURN SIGNAL SWITCH WITH INTEGRAL HEADLAMP DIMMER WITH BRAKE OVERRIDE			\$165.00
298-036	PACIFIC INSIGHT ELECTRONIC FLASHER			STD

Design

065-000	PAINT: ONE SOLID COLOR			\$1,241.00
---------	------------------------	--	--	------------

Color

980-8NO	CAB COLOR A: HSB906712 TOREADOR RED PRL MET PPG BASE/CLEAR			N/C
96J-001	CAB INTERIOR PAINTED SAME AS CAB COLOR			STD
986-020	BLACK, HIGH SOLIDS POLYURETHANE CHASSIS PAINT			STD

Certification / Compliance

996-002	CANADA CMVSS CERTIFICATION, EXCEPT SALES CABS AND GLIDER KITS			N/C
---------	---	--	--	-----

Secondary Factory Options

999-014	DEALER HAS BEEN ADVISED OF AND ACCEPTED RESPONSIBILITY FOR MODIFICATIONS DUE TO POSSIBLE PTO/CHASSIS INTERFERENCE			N/C
---------	---	--	--	-----

Raw Performance Data

AE4-99D	CALC'D FRAME LENGTH - OVERALL : 324.34
AE8-99D	CALCULATED EFFECTIVE BACK OF CAB TO REAR SUSPENSION C/L (CA) : 93.95 in
AM6-99D	CALC'D SPACE AVAILABLE FOR DECKPLATE : 63.97 in

Sales Programs

NO SALES PROGRAMS HAVE BEEN SELECTED

TOTAL VEHICLE SUMMARY



Prepared for:

[REDACTED]

Prepared by:
Warren Christie
WINACOTT EQUIPMENT
GROUP
3002 FAITHFUL AVE
SASKATOON, SK S7K0B1
Phone: 3069314448

Adjusted List Price

Weight Summary

	Weight Front	Weight Rear	Total Weight
Factory Weight ⁺	10710 lbs	9153 lbs	19863 lbs
Total Weight⁺	10710 lbs	9153 lbs	19863 lbs

ITEMS NOT INCLUDED IN ADJUSTED LIST PRICE

Other Factory Charges

- PMU-017 2016 OBD/2010 EPA/CARB/GHG17 ESCALATOR
- RD1-003 3 YEARS DETROIT CONNECT BASE PACKAGE (VIRTUAL TECHNICIAN, DETROIT CONNECT PORTAL ACCESS)
- RAQ-020 MODEL YEAR 2020 WST ESCALATOR - \$1,000
- P73-1WS STANDARD DESTINATION CHARGE X EXCHANGE

(+) Weights shown are estimates only.

If weight is critical, contact Customer Application Engineering.

(**) Prices shown do not include taxes, fees, etc... "Net Equipment Selling Price" is located on the Quotation Details Proposal Report.

(***) All cost increases for major components (Engines, Transmissions, Axles, Front and Rear Tires) and government mandated requirements, tariffs, and raw material surcharges will be passed through and added to factory invoices.

